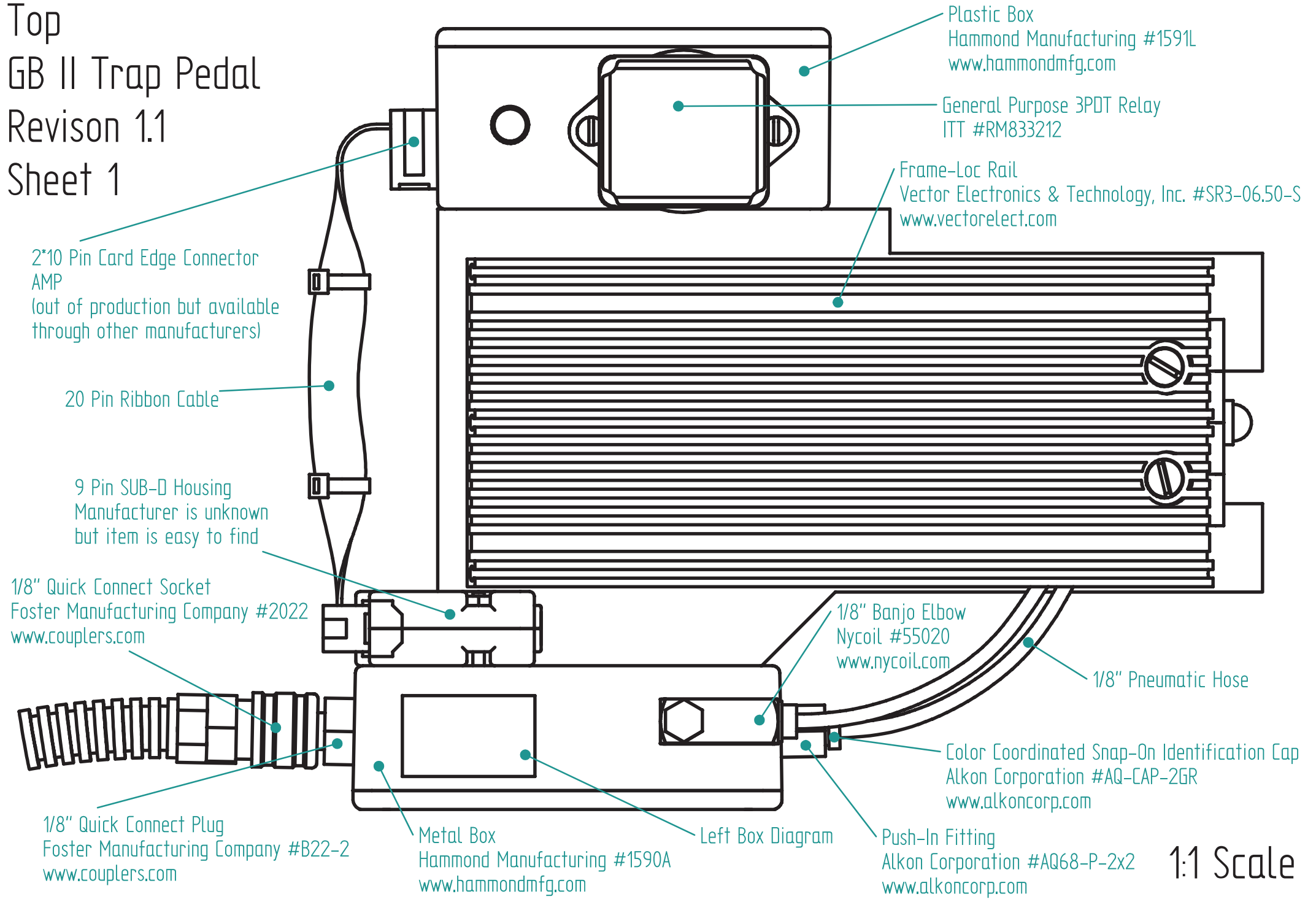


Top
GB II Trap Pedal
Revision 1.1
Sheet 1



Plastic Box
Hammond Manufacturing #1591L
www.hammondmfg.com

General Purpose 3PDT Relay
ITT #RM833212

Frame-Loc Rail
Vector Electronics & Technology, Inc. #SR3-06.50-S
www.vectorelect.com

2*10 Pin Card Edge Connector
AMP
(out of production but available
through other manufacturers)

20 Pin Ribbon Cable

9 Pin SUB-D Housing
Manufacturer is unknown
but item is easy to find

1/8" Quick Connect Socket
Foster Manufacturing Company #2022
www.couplers.com

1/8" Banjo Elbow
Nycoil #55020
www.nycoil.com

1/8" Pneumatic Hose

Color Coordinated Snap-On Identification Cap
Alkon Corporation #AQ-CAP-2GR
www.alkoncorp.com

1/8" Quick Connect Plug
Foster Manufacturing Company #B22-2
www.couplers.com

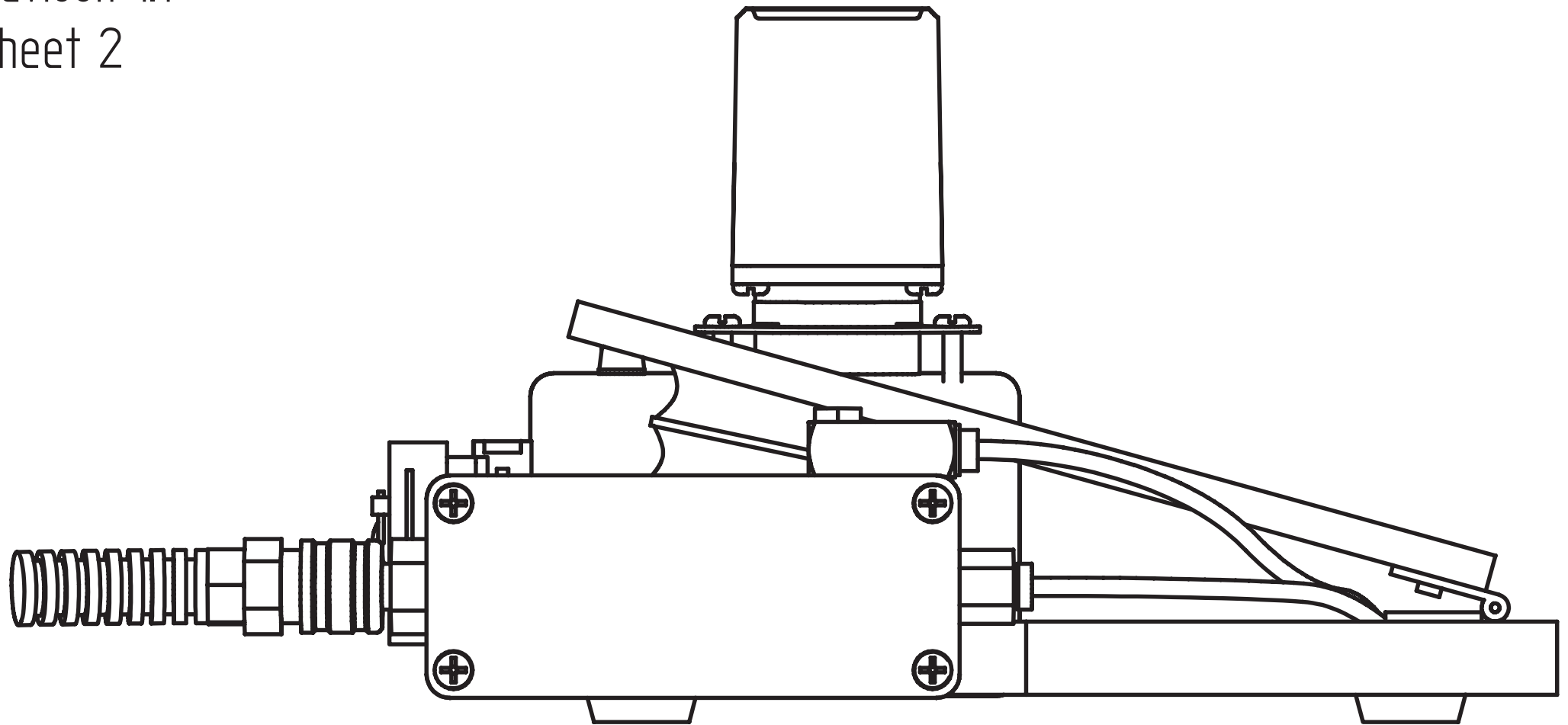
Metal Box
Hammond Manufacturing #1590A
www.hammondmfg.com

Left Box Diagram

Push-In Fitting
Alkon Corporation #AQ68-P-2x2
www.alkoncorp.com

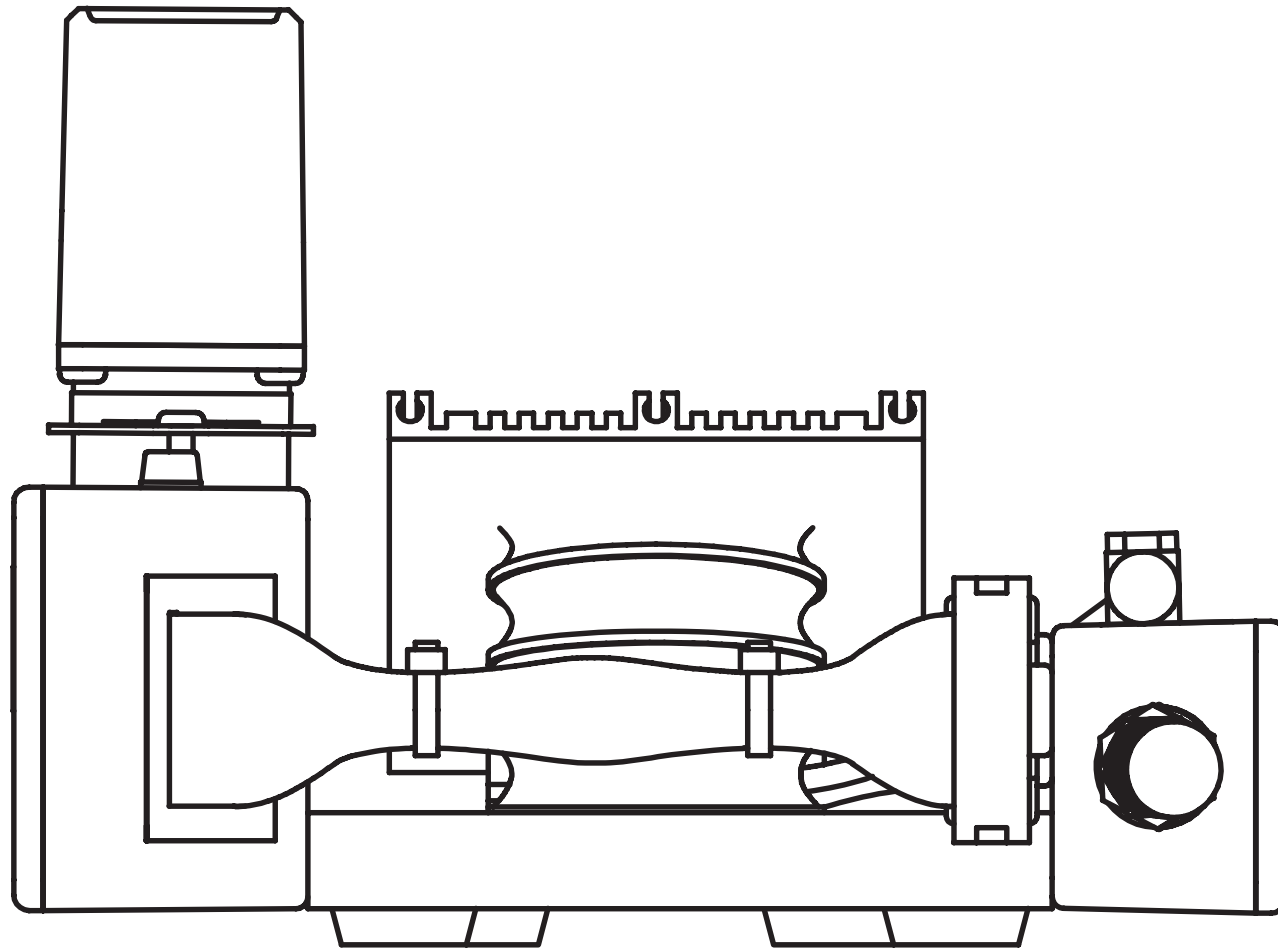
1:1 Scale

Left
GB II Trap Pedal
Revision 1.1
Sheet 2



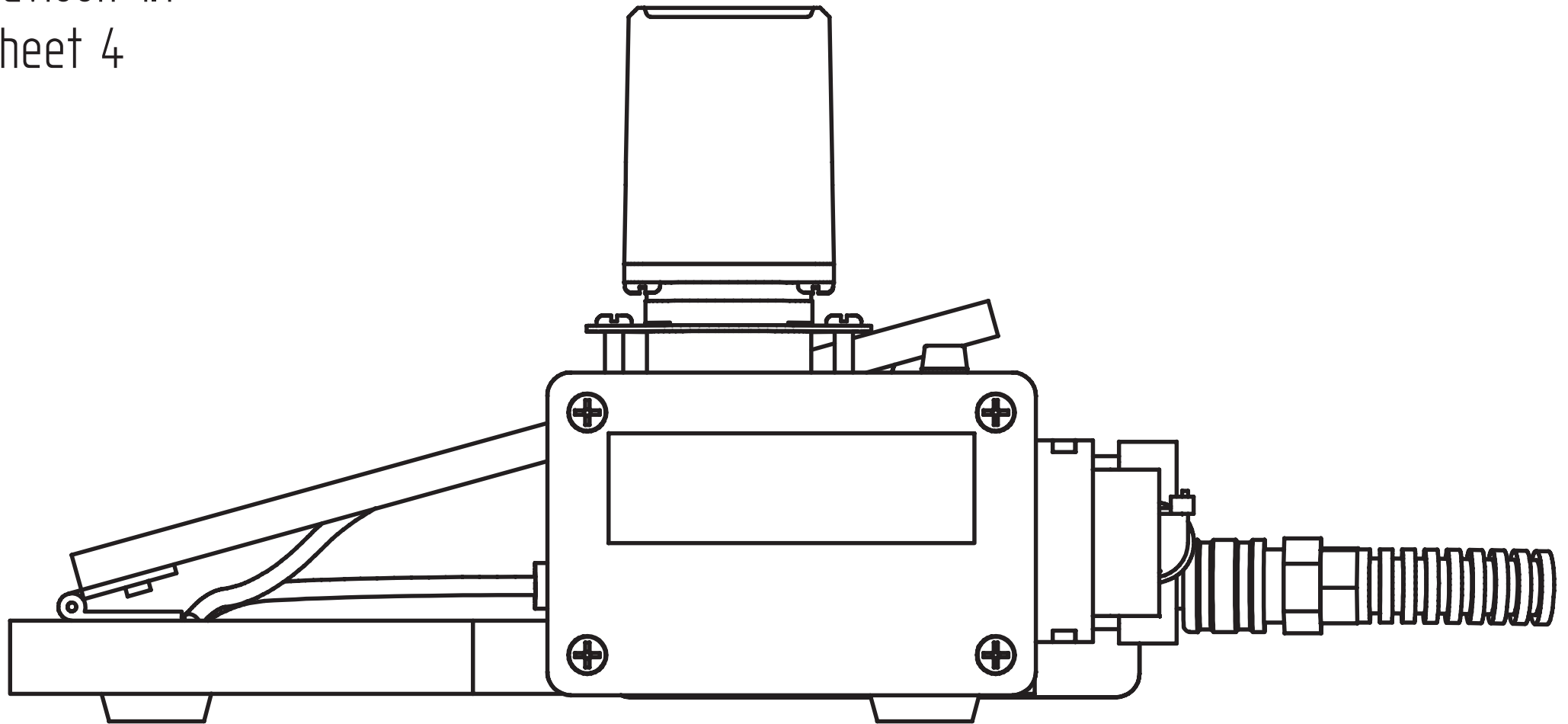
1:1 Scale

Front
GB II Trap Pedal
Revision 1.1
Sheet 3



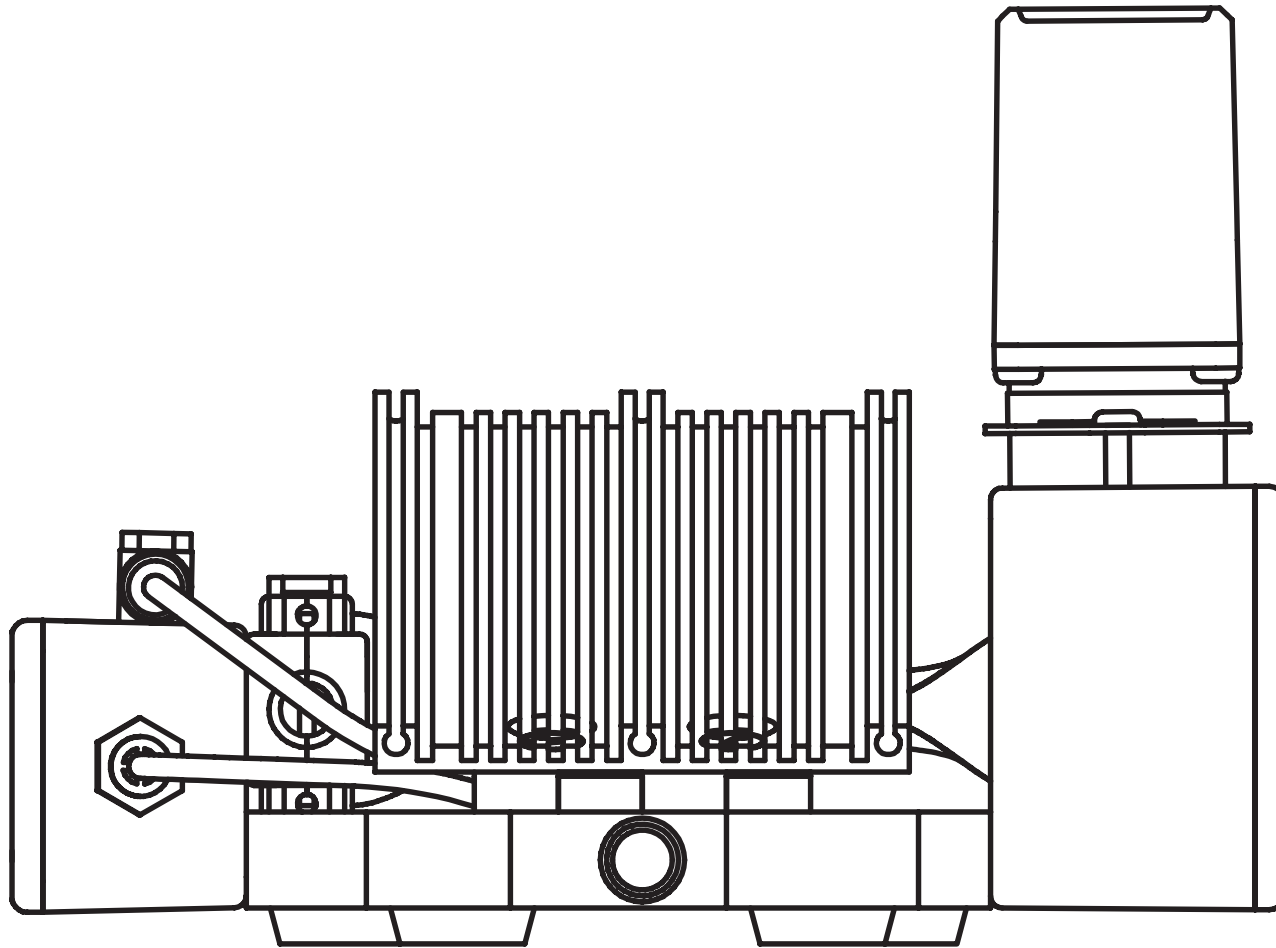
1:1 Scale

Right
GB II Trap Pedal
Revision 1.1
Sheet 4



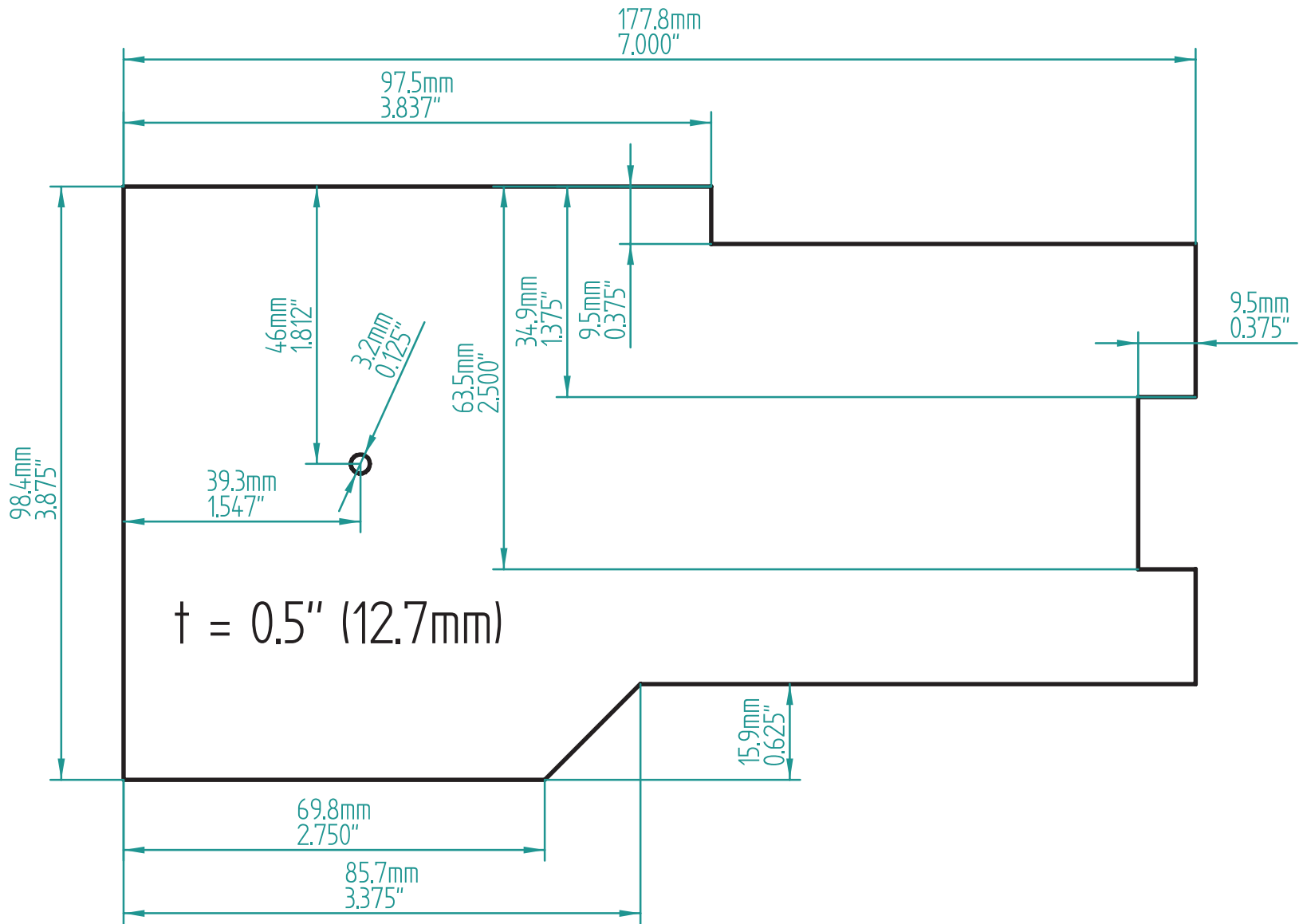
1:1 Scale

Back
GB II Trap Pedal
Revision 1.1
Sheet 5



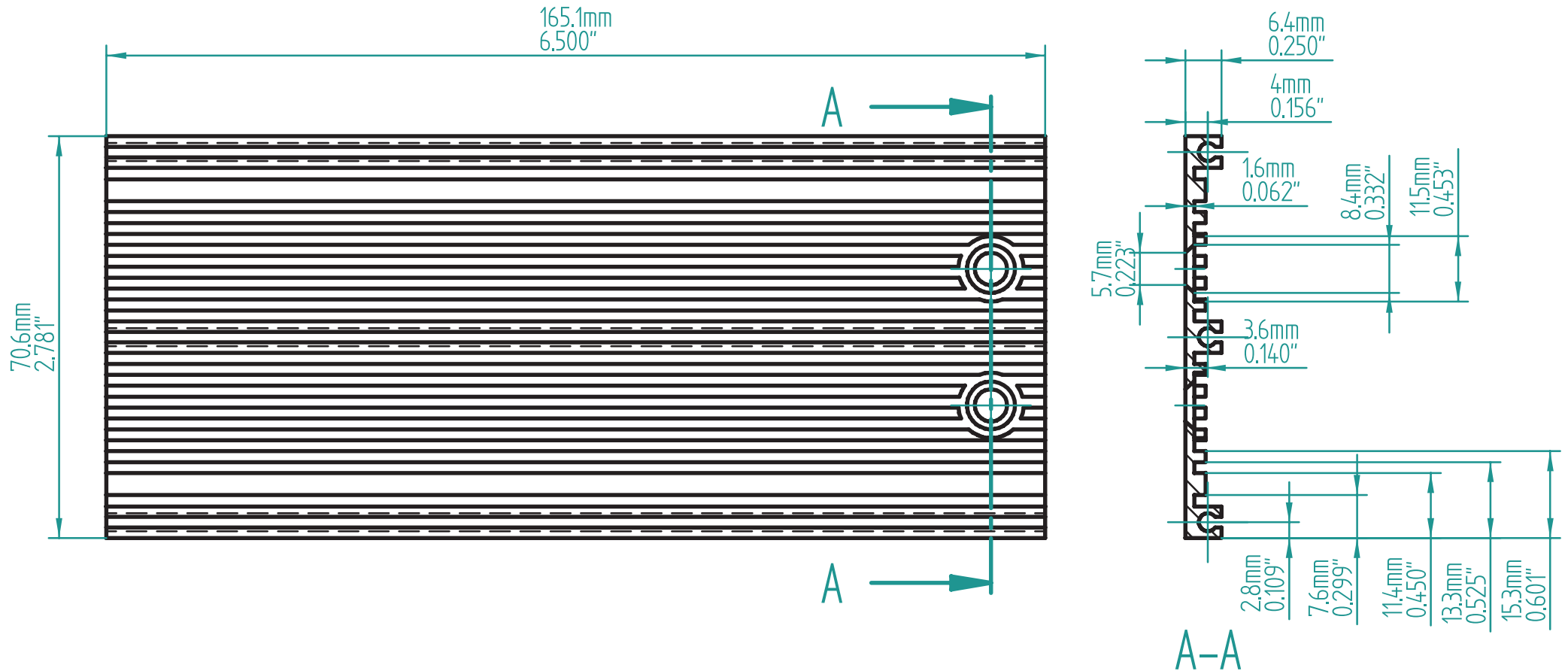
1:1 Scale

Center Plate
GB II Trap Pedal
Revision 1.1
Sheet 6



1:1 Scale

Pedal
 GB II Trap Pedal
 Revision 1.1
 Sheet 7



Note: The pedal is based on an extruded aluminium profile made by VECTOR ELECTRONICS & TECHNOLOGY, INC. (www.vectorelect.com).
 The standard length for this "Frame-Loc Rail" is 41" (1041,4mm). You can order the correct size using the ordering code SR 3-06.50-S.
 As an alternative you could order a kit for the EFP-Module EFP304A66F which includes two plates of the correct size.

1:1 Scale